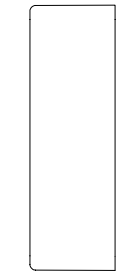
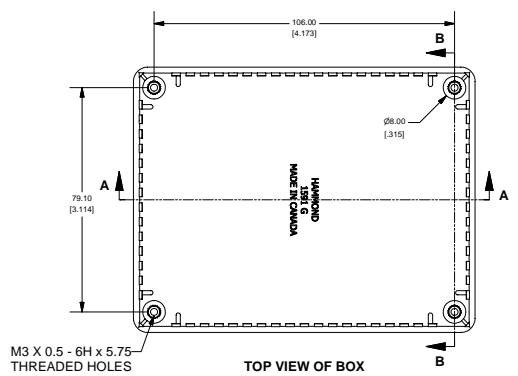


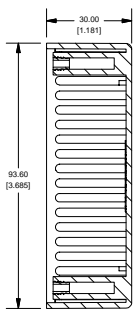
1591G



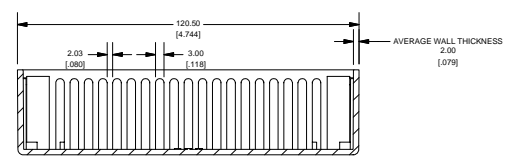
SIDE VIEW OF BOX



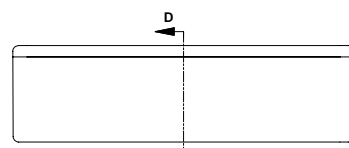
TOP VIEW OF BOX



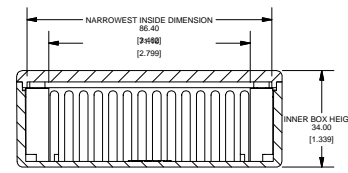
SECTION B-B SCALE 3/4



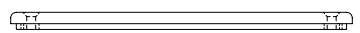
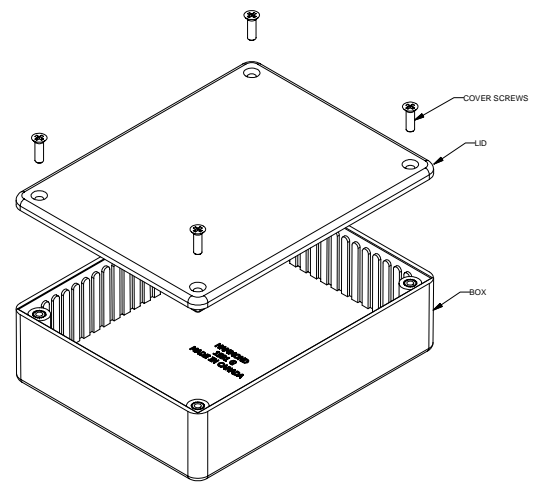
SECTION A-A SCALE 3/4



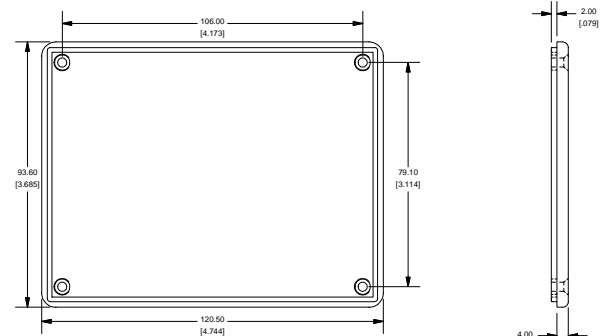
SIDE VIEW OF ASSEMBLY



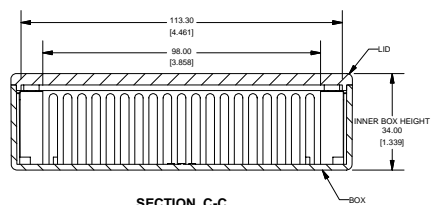
SECTION D-D SCALE 3/4



SECTION C-C SCALE 3/4



END VIEW OF ASSEMBLY



SECTION C-C SCALE 3/4

PART NUMBERS		
1591G Enclosures		
Material	Colour	Part Number
ABS	Beige	1591GBG
	Black	1591GBK
	Blue	1591GBU
	Grey	1591GGY
	Black Shielded	1591RGBK
GP ABS	Black	1591GSBK
Translucent Polycarbonate	Ice Blue	1591GTBU
	IR Red	1591GTRD
	Crystal Clear	1591GTCL
Accessories		
Description	Part Number	
Used with ABS and Translucent Polycarbonate Enclosures	PC Board Card Adapters	See Accessories Section
	Flange Kits	See Accessories Section
	Replacement Screws, nickel plated M3 - 0.5 x 10mm, Pack of 100.	1591MS100
	Belt/Pocket Clip, w/ nylon screws (insulated to avoid interference) and mounting template	1599CLIP - Black 1599CLIPGY - Grey
	Clear Lids - clear, flame retardant polycarbonate - Lid ONLY	1591GC
Used with GP ABS Enclosure	PC Board Card Adapters	See Accessories Section
	Flange Kits	See Accessories Section
	Belt/Pocket Clip, w/ nylon screws (insulated to avoid interference) and mounting template	1599CLIP - Black 1599CLIPGY - Grey
	Replacement Screws, self tapping, black oxide, #4 x 0.5, Pack of 100	1591TS100BK
	Clear Lids - clear, flame retardant polycarbonate - Lid ONLY	1591GC
Required Torque on Fasteners (no lubrication)		
	M3 - 0.5 x 10mm Screws	30-40 cN*m
	#4 x 0.5 Screws	30-40 cN*m

